



## Network Cable Fiber

### LinkIT fiber patch OM4 LC/LC Magenta 25m

Duplex | MM | LSZH

Product number: FPD54LPLP-250

## Product Description

LinkIT fiber cord OM4 is an optimized 50 multimode fiber cable for 10 Gbps up to 100 Gbps data transmission: 10 Gbps up to 550 m, or 100 Gbps up to 125 m

## Main Specifications

<b>Brand</b>	LinkIT
<b>Color</b>	Magenta
<b>Length (m)</b>	25
<b>Category</b>	OM4
<b>Connector type 1</b>	LC
<b>Connector type 2</b>	LC
<b>Polishing contact 1</b>	UPC
<b>Polishing contact 2</b>	UPC
<b>Cable type</b>	Duplex
<b>Number of fibers</b>	2
<b>Wave length (nm)</b>	850/1300
<b>Core Diameter (um)</b>	50/125 - Multimode

## Extended Specifications

<b>Jacket material</b>	LSZH
<b>Anti-kink sleeve</b>	Moulded
<b>Optical Return Loss (dB)</b>	≥35dB
<b>Insertion Loss (dB)</b>	≤0.3dB
<b>Operating Temperature</b>	-40°C ~ +75°C



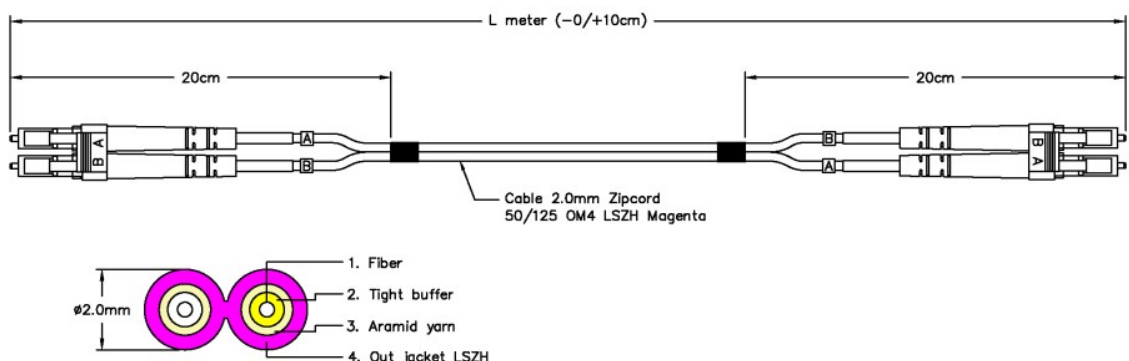
<b>Storage Temperature</b>	-40°C ~ +75°C
<b>Cable Diameter (mm)</b>	2
<b>Fire properties</b>	IEC-60332-3-24, IEC 60332-1-2
<b>Halogenfree</b>	✓
<b>Fire retardant version</b>	✓
<b>Bending radius (mm)</b>	20
<b>Tensile loads (N)</b>	150
<b>Certifications</b>	CE, RoHS

## Single packaging

<b>Unit</b>	PCE
<b>Quantity</b>	1

## Dimensional Sketches

LinkIT LinkIT FiberPatch OM4 LC/LC Magenta



Specifications			
Connector type:	LC-LC	Insertion loss:	≤0.3dB
Fiber mode:	OM4 50/125	Return loss:	≥35dB
Fiber grade:	G.651.1	Wave length:	850/1300nm
Polish type:	PC	Optimized Data rate:	1Gb/s over 1040m / 10Gb/s over 550m
Cable jacket:	LSZH	Durability:	500 matings
Color:	Magenta	Operating/storage temp:	-40°C ~ +75°C
Cable diameter:	2mm	Fire properties:	Fire retardant and halogen-free IEC 60332-3-24, IEC 60332-1-2, IEC 61034, IEC 60754-1
Minimum bend radius:	20mm	IEC standards:	All CENELEC standards required
Tensile loads:	150N		

