



Power Cable

LinkIT Power Cable C15/C14 LSZH halogenfree Black 1 m

Svart | 3 x 1,50mm² | LSZH

Product number: NYEC15C14-1M-HF

Product Description

Halogenfree power cable with C15 contact. Kompatibel with HP: 450090-B21. Corresponds to Cisco CAB-C15-CBN. straight contact at both sides. Certifications: RoHs, CE, REACH.

Main Specifications

Brand	LinkIT
Color	Black
Length (m)	1
Connector type 1	C15 (F)
Connector type 2	C14 (M)
Conductor material	3 Wire
Number of conductors	3

Extended Specifications

NVP value	69%
Jacket material	LSZH
Angle contact 1	Straight
Angle Contact 2	Straight
Voltage	AC 110-250V
Amperage	10A
Conductor colour code	Brown, Blue, Green, Yellow
Operating Temperature	-20 - 70 °C
Halogenfree	✓
With Earthing	✓

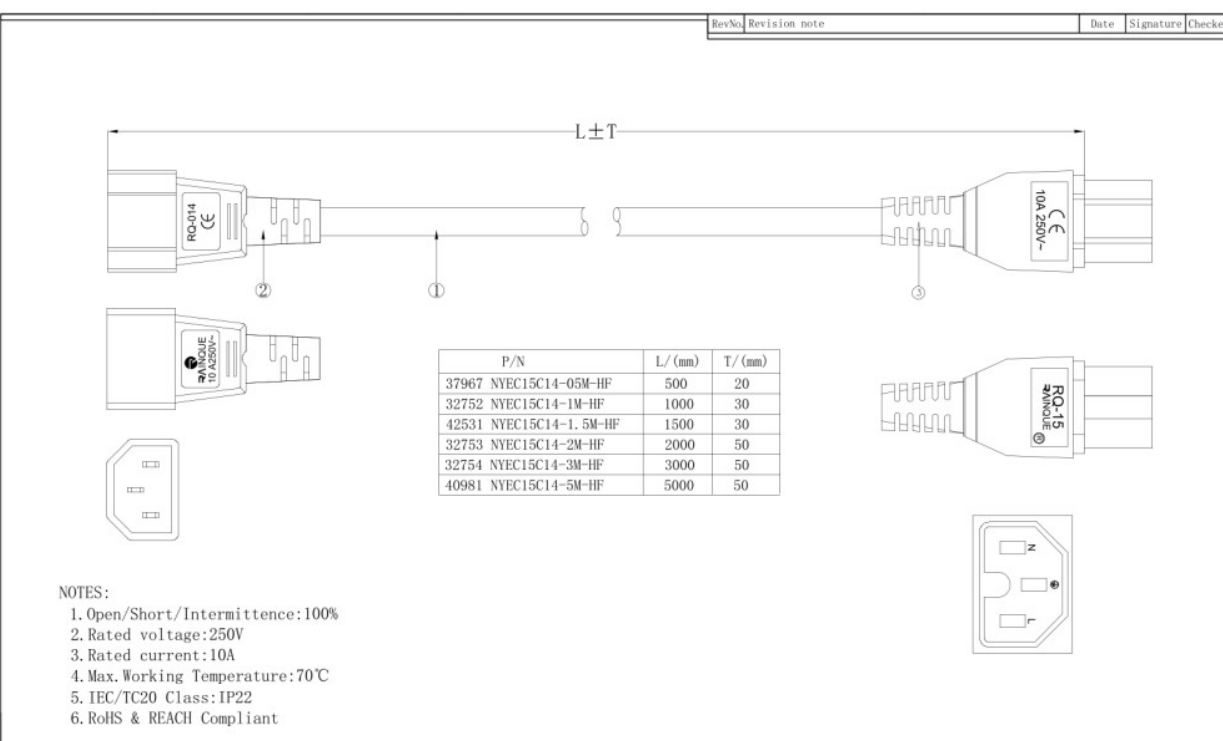



Certifications	CE, RoHS, REACH
Gauge	3x1.5mm2

Single packaging

Unit	PCE
Quantity	1
Height (cm)	15
Width (cm)	15
Length(cm)	4
Weight (kg)	0,13
Gross Weight (kg)	0,14

Dimensional Sketches

RevNo	Revision note	Date	Signature	Checked																															
																																			
<p>NOTES:</p> <ol style="list-style-type: none"> 1. Open/Short/Intermittence:100% 2. Rated voltage:250V 3. Rated current:10A 4. Max. Working Temperature:70°C 5. IEC/TC20 Class:IP22 6. RoHS & REACH Compliant 																																			
<table border="1" style="width: 100%; border-collapse: collapse;"> <thead> <tr> <th>P/N</th> <th>L/(mm)</th> <th>T/(mm)</th> </tr> </thead> <tbody> <tr> <td>37967 NYEC15C14-05M-HF</td> <td>500</td> <td>20</td> </tr> <tr> <td>32752 NYEC15C14-1M-HF</td> <td>1000</td> <td>30</td> </tr> <tr> <td>42531 NYEC15C14-1.5M-HF</td> <td>1500</td> <td>30</td> </tr> <tr> <td>32753 NYEC15C14-2M-HF</td> <td>2000</td> <td>50</td> </tr> <tr> <td>32754 NYEC15C14-3M-HF</td> <td>3000</td> <td>50</td> </tr> <tr> <td>40981 NYEC15C14-5M-HF</td> <td>5000</td> <td>50</td> </tr> </tbody> </table>		P/N	L/(mm)	T/(mm)	37967 NYEC15C14-05M-HF	500	20	32752 NYEC15C14-1M-HF	1000	30	42531 NYEC15C14-1.5M-HF	1500	30	32753 NYEC15C14-2M-HF	2000	50	32754 NYEC15C14-3M-HF	3000	50	40981 NYEC15C14-5M-HF	5000	50													
P/N	L/(mm)	T/(mm)																																	
37967 NYEC15C14-05M-HF	500	20																																	
32752 NYEC15C14-1M-HF	1000	30																																	
42531 NYEC15C14-1.5M-HF	1500	30																																	
32753 NYEC15C14-2M-HF	2000	50																																	
32754 NYEC15C14-3M-HF	3000	50																																	
40981 NYEC15C14-5M-HF	5000	50																																	
<table border="1" style="width: 100%; border-collapse: collapse;"> <thead> <tr> <th>Itemref</th> <th>Quantity</th> <th>Title/Name, designation, material, dimension etc</th> <th colspan="2">Article NO./Reference</th> </tr> </thead> <tbody> <tr> <td>①</td> <td>1</td> <td>PLUG C15-RQ015 PVC/BLACK</td> <td colspan="2">Designed by FLY</td> </tr> <tr> <td>②</td> <td>1</td> <td>PLUG C14-RQ014 PVC/BLACK</td> <td colspan="2">Checkde by HELEN</td> </tr> <tr> <td>③</td> <td>L</td> <td>CABLE H05Z1Z1-F 3*1.5mm² SOFT LSZH/BLACK JACKET OD:7.8±0.2mm MARKING:CE H05Z1Z1-F 3G1.5mm² Yuyao Rainque Electric Co.,Ltd RAINQUE M.2021.10.3.UY1425</td> <td colspan="2">Approved by - date 2023.02.13</td> </tr> <tr> <td>NO.</td> <td>MATERIAL</td> <td>DESCRIPTION</td> <td>QTY.</td> <td>UNIT</td> </tr> </tbody> </table>		Itemref	Quantity	Title/Name, designation, material, dimension etc	Article NO./Reference		①	1	PLUG C15-RQ015 PVC/BLACK	Designed by FLY		②	1	PLUG C14-RQ014 PVC/BLACK	Checkde by HELEN		③	L	CABLE H05Z1Z1-F 3*1.5mm ² SOFT LSZH/BLACK JACKET OD:7.8±0.2mm MARKING:CE H05Z1Z1-F 3G1.5mm ² Yuyao Rainque Electric Co.,Ltd RAINQUE M.2021.10.3.UY1425	Approved by - date 2023.02.13		NO.	MATERIAL	DESCRIPTION	QTY.	UNIT	<table border="1" style="width: 100%; border-collapse: collapse;"> <thead> <tr> <th>File name</th> <th>Date</th> <th>Scale</th> </tr> </thead> <tbody> <tr> <td>C14 TO C15 3*1.5mm² LSZH</td> <td>2023.02.13</td> <td>FREE</td> </tr> </tbody> </table>			File name	Date	Scale	C14 TO C15 3*1.5mm ² LSZH	2023.02.13	FREE
Itemref	Quantity	Title/Name, designation, material, dimension etc	Article NO./Reference																																
①	1	PLUG C15-RQ015 PVC/BLACK	Designed by FLY																																
②	1	PLUG C14-RQ014 PVC/BLACK	Checkde by HELEN																																
③	L	CABLE H05Z1Z1-F 3*1.5mm ² SOFT LSZH/BLACK JACKET OD:7.8±0.2mm MARKING:CE H05Z1Z1-F 3G1.5mm ² Yuyao Rainque Electric Co.,Ltd RAINQUE M.2021.10.3.UY1425	Approved by - date 2023.02.13																																
NO.	MATERIAL	DESCRIPTION	QTY.	UNIT																															
File name	Date	Scale																																	
C14 TO C15 3*1.5mm ² LSZH	2023.02.13	FREE																																	
		<table border="1" style="width: 100%; border-collapse: collapse;"> <thead> <tr> <th>Edition</th> <th>Sheet</th> </tr> </thead> <tbody> <tr> <td>1</td> <td>1/1</td> </tr> </tbody> </table>			Edition	Sheet	1	1/1																											
Edition	Sheet																																		
1	1/1																																		

