

Power Cable

LinkIT Power Cable CEE 7/7 - C13 Black PVC 7.0 m

PVC 3 x 1,0 mm²

Product number: NYESC13-7M

EI-number: 6955980

Product Description

Power cable with CEE 7/7 (angled) to C13 contacts in black color. This cable is normally used as a power cable to monitor or PC. Certifications: RoHs, CE, VDE.

Main Specifications

Brand	LinkIT
Color	Black
Length (m)	7
Connector type 1	CEE 7/7
Connector type 2	C13 (F)
Conductor material	3 Wire
Cable type	H05VV-F
Number of conductors	3

Extended Specifications

NVP value	69%
Jacket material	PVC
Angle contact 1	Angeled
Angle Contact 2	Straight
Voltage	AC 110-250V
Amperage	10A
Conductor colour code	Brown, Blue, Green, Yellow
Operating Temperature	-20 - 70 °C
Halogenfree	X

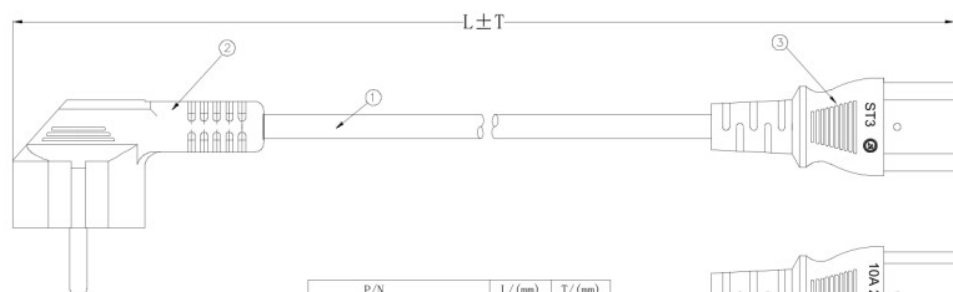
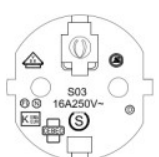
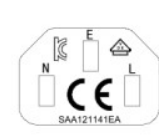
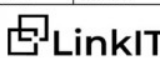
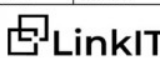
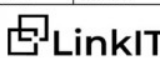


With Earthing	✓
Certifications	VDE, CE, RoHS, REACH
Gauge	3X1.0mm ²

Single packaging

Unit	PCE
Quantity	1
Height (cm)	3,2
Width (cm)	1,3
Length(cm)	0,7
Weight (kg)	0,62
Gross Weight (kg)	0,00065
Volum (dm³)	0,003

Dimensional Sketches

RevNo.	Revision note	Date	Signature	Checked																									
																													
<table border="1" style="margin: auto;"> <thead> <tr> <th>P/N</th> <th>L/ (mm)</th> <th>T/ (mm)</th> </tr> </thead> <tbody> <tr> <td>11421 NYESC13-3M</td> <td>3000</td> <td>50</td> </tr> <tr> <td>25901 NYESC13-5M</td> <td>5000</td> <td>50</td> </tr> <tr> <td>26694 NYESC13-7M</td> <td>7000</td> <td>70</td> </tr> <tr> <td>20362 NYESC13-10M</td> <td>10000</td> <td>100</td> </tr> </tbody> </table>					P/N	L/ (mm)	T/ (mm)	11421 NYESC13-3M	3000	50	25901 NYESC13-5M	5000	50	26694 NYESC13-7M	7000	70	20362 NYESC13-10M	10000	100										
P/N	L/ (mm)	T/ (mm)																											
11421 NYESC13-3M	3000	50																											
25901 NYESC13-5M	5000	50																											
26694 NYESC13-7M	7000	70																											
20362 NYESC13-10M	10000	100																											
																													
<p>NOTES:</p> <ol style="list-style-type: none"> 1. Open/Short/Intermittence:100% 2. Rated voltage:250V 3. Rated current:10A 4. Max. Working Temperature:70°C 5. IEC/TC20 Class:IP22 6. RoHS & REACH Compliant 																													
																													
<table border="1" style="width: 100%; border-collapse: collapse;"> <thead> <tr> <th>Itemref</th> <th>Quantity</th> <th>Title/Name, designation, material, dimension etc</th> <th colspan="2">Article NO. /Reference</th> </tr> </thead> <tbody> <tr> <td>① PLUG</td> <td>1</td> <td>ST3:C13 PVC/BLACK</td> <td>1</td> <td>PCS</td> </tr> <tr> <td>② PLUG</td> <td>1</td> <td>S03:Angled Schuko PVC/BLACK</td> <td>1</td> <td>PCS</td> </tr> <tr> <td>③ CABLE</td> <td>L</td> <td>H05VV-F 3*1.0mm² PVC/BLACK JACKET OD:6.8±0.2mm MARKING: <VDE> H05VV-F 3G1.0mm² NINGBO OUSHENG</td> <td>L</td> <td>MM</td> </tr> <tr> <td>NO.</td> <td>MATERIAL</td> <td>DESCRIPTION</td> <td>QTY.</td> <td>UNIT</td> </tr> </tbody> </table>					Itemref	Quantity	Title/Name, designation, material, dimension etc	Article NO. /Reference		① PLUG	1	ST3:C13 PVC/BLACK	1	PCS	② PLUG	1	S03:Angled Schuko PVC/BLACK	1	PCS	③ CABLE	L	H05VV-F 3*1.0mm ² PVC/BLACK JACKET OD:6.8±0.2mm MARKING: <VDE> H05VV-F 3G1.0mm ² NINGBO OUSHENG	L	MM	NO.	MATERIAL	DESCRIPTION	QTY.	UNIT
Itemref	Quantity	Title/Name, designation, material, dimension etc	Article NO. /Reference																										
① PLUG	1	ST3:C13 PVC/BLACK	1	PCS																									
② PLUG	1	S03:Angled Schuko PVC/BLACK	1	PCS																									
③ CABLE	L	H05VV-F 3*1.0mm ² PVC/BLACK JACKET OD:6.8±0.2mm MARKING: <VDE> H05VV-F 3G1.0mm ² NINGBO OUSHENG	L	MM																									
NO.	MATERIAL	DESCRIPTION	QTY.	UNIT																									
<table border="1" style="width: 100%; border-collapse: collapse;"> <thead> <tr> <th>Designed by</th> <th>Checkde by</th> <th>Approved by - date</th> <th>File name</th> <th>Date</th> <th>Scale</th> </tr> </thead> <tbody> <tr> <td>FLY</td> <td>HELEN</td> <td>2023.02.23</td> <td></td> <td>2023.02.23</td> <td>FREE</td> </tr> </tbody> </table>		Designed by	Checkde by	Approved by - date	File name	Date	Scale	FLY	HELEN	2023.02.23		2023.02.23	FREE	<table border="1" style="width: 100%; border-collapse: collapse;"> <thead> <tr> <th>ANGLE:</th> <th>LinkIT</th> <th>Angled Schuko TO C13 3*1.0mm²</th> <th>Edition</th> <th>Sheet</th> </tr> </thead> <tbody> <tr> <td>  </td> <td></td> <td></td> <td>1</td> <td>1/1</td> </tr> </tbody> </table>			ANGLE:	LinkIT	Angled Schuko TO C13 3*1.0mm ²	Edition	Sheet				1	1/1			
Designed by	Checkde by	Approved by - date	File name	Date	Scale																								
FLY	HELEN	2023.02.23		2023.02.23	FREE																								
ANGLE:	LinkIT	Angled Schuko TO C13 3*1.0mm ²	Edition	Sheet																									
			1	1/1																									

