

Power Cable

LinkIT Power Cable CEE 7/7 - C13 Black LSZH 7 m

LSZH 3 x 1,5 mm²

Product number: NYESCC13-7M-HF
EI-number: 6955973

Product Description

Halogenfree power cable with CEE 7/7 to C13 contacts in black color. This cable is normally used as a power cable to monitor or PC. Halogenfri cable. straight contact at both sides. Certifications: RoHs, CE, VDE.

Main Specifications

| | |
|-----------------------------|---------|
| Brand | LinkIT |
| Color | Black |
| Length (m) | 7 |
| Connector type 1 | CEE 7/7 |
| Connector type 2 | C13 (F) |
| Conductor material | 3 Wire |
| Number of conductors | 3 |

Extended Specifications

| | |
|------------------------------|----------------------------|
| NVP value | 69% |
| Jacket material | LSZH |
| Angle contact 1 | Angeled |
| Angle Contact 2 | Straight |
| Voltage | AC 110-250V |
| Amperage | 10A |
| Conductor colour code | Brown, Blue, Green, Yellow |
| Operating Temperature | -20 - 70 °C |
| Halogenfree | ✓ |



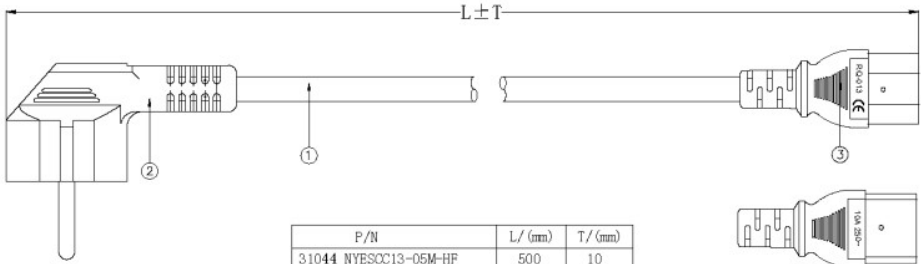
| | |
|-----------------------|----------------------|
| With Earthing | ✓ |
| Certifications | CE, RoHS, REACH |
| Gauge | 3x1.5mm ² |

Single packaging


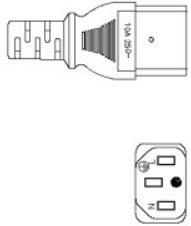
| | |
|-------------------------------|---------|
| Unit | PCE |
| Quantity | 1 |
| Height (cm) | 2,3 |
| Width (cm) | 2,3 |
| Length(cm) | 0,5 |
| Weight (kg) | 0,76 |
| Gross Weight (kg) | 0,00081 |
| Volum (dm³) | 0,003 |

Dimensional Sketches

| Rev.No. | Revision note | Date | Signature | Checked |
|---------|---------------|------|-----------|---------|
| | | | | |



| P/N | L/ (mm) | T/ (mm) |
|-----------------------|---------|---------|
| 31044 NYESCC13-05M-HF | 500 | 10 |
| 31045 NYESCC13-1M-HF | 1000 | 20 |
| 31046 NYESCC13-2M-HF | 2000 | 30 |
| 31047 NYESCC13-3M-HF | 3000 | 40 |
| 31048 NYESCC13-5M-HF | 5000 | 60 |
| 31049 NYESCC13-7M-HF | 7000 | 80 |
| 31050 NYESCC13-10M-HF | 10000 | 100 |


NOTES:

1. Open/Short/Intermittence:100%
2. Rated voltage:250V
3. Rated current:10A
4. Max. Working Temperature:70°C
5. IEC/TC20 Class:IP22
6. RoHS & REACH Compliant

| NO. | MATERIAL | DESCRIPTION | QTY. | UNIT | Ltref/Quantity | Title/Name, designation, material, dimension etc | Article NO./Reference |
|-----|----------|---|------|------|-----------------|--|--|
| ③ | PLUG | RQ013:C13 PVC/BLACK | 1 | PCS | Designed by FLY | Checked by HELEN | Approved by - date 2023.02.23 |
| ② | PLUG | RQ004:Angled Schuko PVC/BLACK | 1 | PCS | | | File name Date 2023.02.23 Scale FREE |
| ① | CABLE | H05Z1Z1-F 3*1.5mm ² SOFT LSZH/BLACK JACKET OD:7.9 ± 0.2mm MARKING: CE H05Z1Z1-F 3G1.5mm ² Yuyao Rainque Electric Co., Ltd. INQUIRE M.2021.10.3.UY1425 | L | M | | | Angled Schuko TO C13 3*1.5mm ² LSZH |

ANGLE:

UNIT: MM



LinkIT

Edition 1

Sheet 1/1

