



Power Cable

LinkIT Power Cable Euro CEE 7/16 to C7 15 m

Euro - C7, 2 x 0,75mm², PVC

Product number: NYESCC7-15M

Product Description

Power cable that is used from wall to notebook, 2-pole. CEE 7/16 to IEC 60320 C7 angled.
Certifications: RoHs, CE, VDE, REACH.

Main Specifications

Brand	LinkIT
Color	Black
Length (m)	15
Connector type 1	CEE 7/16
Connector type 2	C7 (F)
Conductor material	2 Wire
Cable type	H05VVH2-F
Number of conductors	2

Extended Specifications

NVP value	69%
Jacket material	PVC
Angle contact 1	Straight
Angle Contact 2	Straight
Voltage	AC 110-250V
Amperage	2.5A
Conductor colour code	Brown, Blue, Green, Yellow
Operating Temperature	-20 - 70 °C
Halogenfree	X

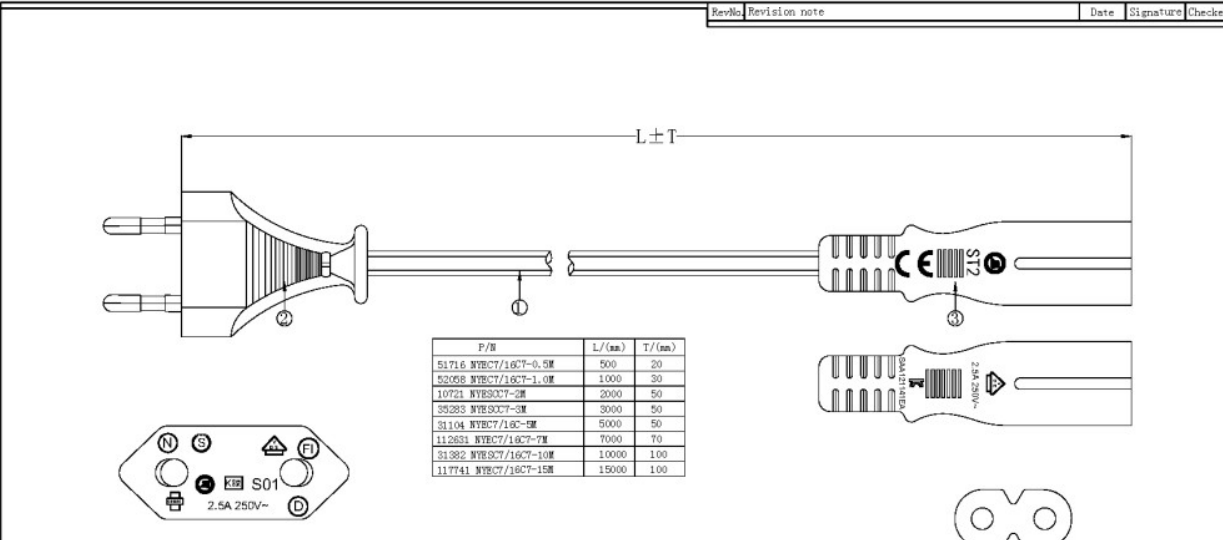
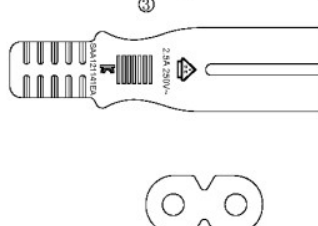





With Earthing	X
Certifications	VDE, CE, RoHS, REACH
Gauge	2x 0.75mm ²

Single packaging

Unit	PCE
Quantity	1
Height (cm)	32
Width (cm)	32
Length(cm)	10
Weight (kg)	0,87
Gross Weight (kg)	0,92
Splittable	X

Dimensional Sketches

Rev.No.	Revision note	Date	Signature	Checked																											
																															
<p>NOTES:</p> <ol style="list-style-type: none"> 1. Open/Short/Intermittence:100% 2. Rated voltage:250V 3. Rated current:2.5A 4. Max. Working Temperature:70°C 5. IEC/TC20 Class:IP22 6. RoHS & REACH Compliant 																															
<table border="1" style="width: 100%; border-collapse: collapse;"> <thead> <tr> <th>P/N</th> <th>L/(mm)</th> <th>T/(mm)</th> </tr> </thead> <tbody> <tr> <td>51716 NYEC7/16C7-0.5M</td> <td>500</td> <td>20</td> </tr> <tr> <td>52058 NYEC7/16C7-1.0M</td> <td>1000</td> <td>30</td> </tr> <tr> <td>10721 NYEC7-3M</td> <td>2000</td> <td>50</td> </tr> <tr> <td>33283 NYEC7-3M</td> <td>3000</td> <td>50</td> </tr> <tr> <td>33104 NYEC7/16C7-5M</td> <td>5000</td> <td>50</td> </tr> <tr> <td>112631 NYEC7/16C7-7M</td> <td>7000</td> <td>70</td> </tr> <tr> <td>33382 NYEC7/16C7-10M</td> <td>10000</td> <td>100</td> </tr> <tr> <td>117741 NYEC7/16C7-15M</td> <td>15000</td> <td>100</td> </tr> </tbody> </table>		P/N	L/(mm)	T/(mm)	51716 NYEC7/16C7-0.5M	500	20	52058 NYEC7/16C7-1.0M	1000	30	10721 NYEC7-3M	2000	50	33283 NYEC7-3M	3000	50	33104 NYEC7/16C7-5M	5000	50	112631 NYEC7/16C7-7M	7000	70	33382 NYEC7/16C7-10M	10000	100	117741 NYEC7/16C7-15M	15000	100			
P/N	L/(mm)	T/(mm)																													
51716 NYEC7/16C7-0.5M	500	20																													
52058 NYEC7/16C7-1.0M	1000	30																													
10721 NYEC7-3M	2000	50																													
33283 NYEC7-3M	3000	50																													
33104 NYEC7/16C7-5M	5000	50																													
112631 NYEC7/16C7-7M	7000	70																													
33382 NYEC7/16C7-10M	10000	100																													
117741 NYEC7/16C7-15M	15000	100																													
<table border="1" style="width: 100%; border-collapse: collapse;"> <thead> <tr> <th>NO.</th> <th>MATERIAL</th> <th>DESCRIPTION</th> <th>QTY.</th> <th>UNIT</th> </tr> </thead> <tbody> <tr> <td>①</td> <td>PLUG</td> <td>ST2:C7 PVC/BLACK</td> <td>1</td> <td>PCE</td> </tr> <tr> <td>②</td> <td>PLUG</td> <td>S01:CEE 7/16 PVC/BLACK</td> <td>1</td> <td>PCE</td> </tr> <tr> <td>③</td> <td>CABLE</td> <td>H05VVH2-F 2*0.75mm² PVC/BLACK JACKET (D: 4.0*6.0±0.2mm) MARKING: <VDE> H05VVH2-F 2*0.75mm² NINGBO OUSHENG</td> <td>L</td> <td>M</td> </tr> </tbody> </table>					NO.	MATERIAL	DESCRIPTION	QTY.	UNIT	①	PLUG	ST2:C7 PVC/BLACK	1	PCE	②	PLUG	S01:CEE 7/16 PVC/BLACK	1	PCE	③	CABLE	H05VVH2-F 2*0.75mm ² PVC/BLACK JACKET (D: 4.0*6.0±0.2mm) MARKING: <VDE> H05VVH2-F 2*0.75mm ² NINGBO OUSHENG	L	M							
NO.	MATERIAL	DESCRIPTION	QTY.	UNIT																											
①	PLUG	ST2:C7 PVC/BLACK	1	PCE																											
②	PLUG	S01:CEE 7/16 PVC/BLACK	1	PCE																											
③	CABLE	H05VVH2-F 2*0.75mm ² PVC/BLACK JACKET (D: 4.0*6.0±0.2mm) MARKING: <VDE> H05VVH2-F 2*0.75mm ² NINGBO OUSHENG	L	M																											
<table border="1" style="width: 100%; border-collapse: collapse;"> <thead> <tr> <th>Itemref</th> <th>Quantity</th> <th>Title/Name, designation, material, dimension etc</th> <th>Article NO./Reference</th> </tr> </thead> <tbody> <tr> <td>Designed by FLY</td> <td>Checked by HELEN</td> <td>Approved by - date 2023.02.22</td> <td>File name Date 2023.02.22</td> </tr> </tbody> </table>		Itemref	Quantity	Title/Name, designation, material, dimension etc	Article NO./Reference	Designed by FLY	Checked by HELEN	Approved by - date 2023.02.22	File name Date 2023.02.22	<table border="1" style="width: 100%; border-collapse: collapse;"> <tr> <td>  </td> <td> CEE 7/16-CT 240.75mm² </td> <td> Edition 1 </td> <td> Sheet 1/1 </td> </tr> </table>				CEE 7/16-CT 240.75mm ²	Edition 1	Sheet 1/1															
Itemref	Quantity	Title/Name, designation, material, dimension etc	Article NO./Reference																												
Designed by FLY	Checked by HELEN	Approved by - date 2023.02.22	File name Date 2023.02.22																												
	CEE 7/16-CT 240.75mm ²	Edition 1	Sheet 1/1																												

