



Power Cable

LinkIT Power Cable CEE7/16 - C7 black 5m

Euro - C7, 2 x 0,75mm², PVC

Product number: NYESCC7-5M

EI-number: 6956013

Product Description

Power cable that is used from wall to notebook, 2-pole. CEE 7/16 to angled IEC-320-C7.
Certifications: RoHS, CE, VDE, REACH.

Main Specifications

Brand	LinkIT
Color	Black
Length (m)	5
Connector type 1	CEE 7/16
Connector type 2	C7 (F)
Conductor material	2 Wire
Cable type	H05VVH2-F
Number of conductors	3

Extended Specifications

NVP value	69%
Jacket material	PVC
Angle contact 1	Straight
Angle Contact 2	Straight
Voltage	AC 110-250V
Amperage	2.5A
Conductor colour code	Yellow, Green, Blue, Brown
Operating Temperature	-20 - 70 °C
With Earthing	X

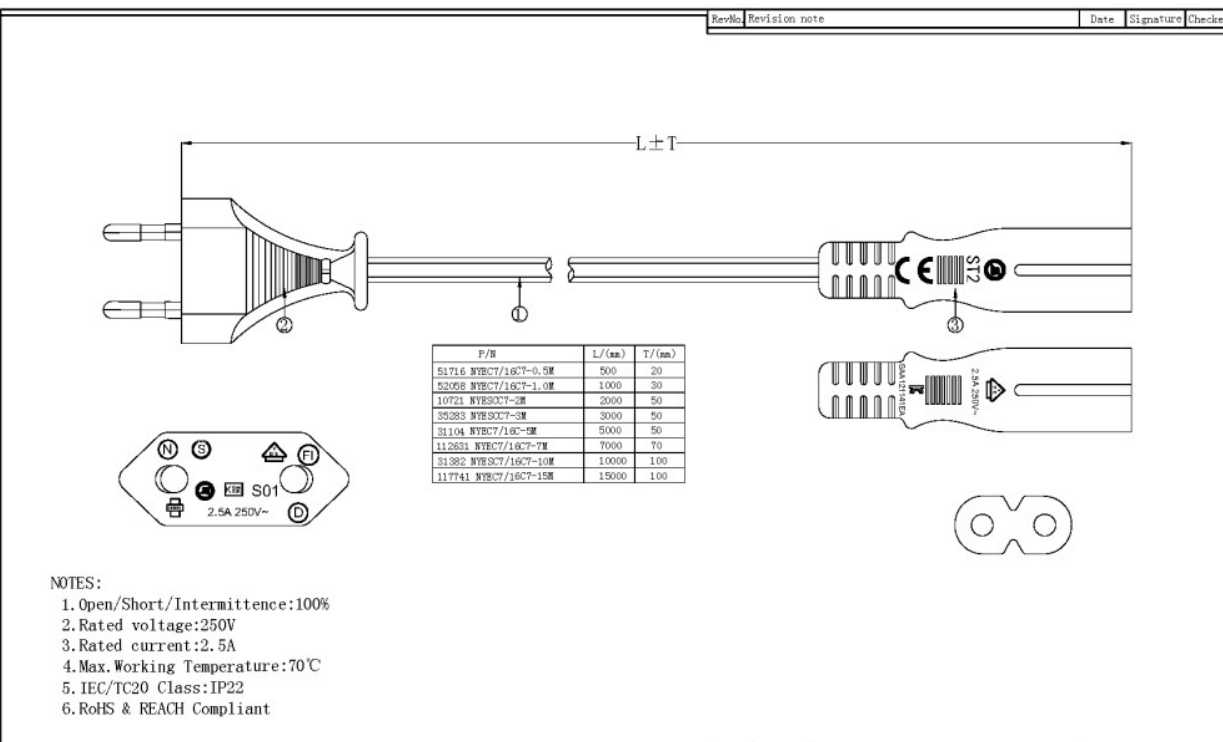




Certifications	CE, REACH, VDE, RoHS
Gauge	2x 0.75mm ²

Single packaging

Unit	PCE
Quantity	1
Height (cm)	25
Width (cm)	10
Length(cm)	4
Weight (kg)	0,16
Gross Weight (kg)	0,18
Splittable	X

Dimensional Sketches

Rev.No	Revision note	Date	Signature	Checked																
																				
①	PLUG	ST2:C7 PVC/BLACK	1	PCS																
②	PLUG	S01:CEE 7/16 PVC/BLACK	1	PCS																
③	CABLE	H05VVH2-F 2x0.75mm ² PVC/BLACK JACKET (D: 4.0±0.2mm) MARKING:<VDE> H05VVH2-F 2x0.75mm ² NINGBO OUSHENG	L	M																
NO.	MATERIAL	DESCRIPTION	QTY.	UNIT																
<table border="1" style="width: 100%; border-collapse: collapse;"> <thead> <tr> <th>Item#</th> <th>Quantity</th> <th>Title/Name, designation, material, dimension etc</th> <th>Article NO./Reference</th> </tr> </thead> <tbody> <tr> <td>①</td> <td>1</td> <td>PLUG</td> <td>ST2:C7 PVC/BLACK</td> </tr> <tr> <td>②</td> <td>1</td> <td>PLUG</td> <td>S01:CEE 7/16 PVC/BLACK</td> </tr> <tr> <td>③</td> <td>L</td> <td>CABLE</td> <td>H05VVH2-F 2x0.75mm² PVC/BLACK JACKET (D: 4.0±0.2mm) MARKING:<VDE> H05VVH2-F 2x0.75mm² NINGBO OUSHENG</td> </tr> </tbody> </table>					Item#	Quantity	Title/Name, designation, material, dimension etc	Article NO./Reference	①	1	PLUG	ST2:C7 PVC/BLACK	②	1	PLUG	S01:CEE 7/16 PVC/BLACK	③	L	CABLE	H05VVH2-F 2x0.75mm ² PVC/BLACK JACKET (D: 4.0±0.2mm) MARKING:<VDE> H05VVH2-F 2x0.75mm ² NINGBO OUSHENG
Item#	Quantity	Title/Name, designation, material, dimension etc	Article NO./Reference																	
①	1	PLUG	ST2:C7 PVC/BLACK																	
②	1	PLUG	S01:CEE 7/16 PVC/BLACK																	
③	L	CABLE	H05VVH2-F 2x0.75mm ² PVC/BLACK JACKET (D: 4.0±0.2mm) MARKING:<VDE> H05VVH2-F 2x0.75mm ² NINGBO OUSHENG																	
Designed by FLY		Checked by HELEN	Approved by - date 2023.02.22	File name CEE 7/16-CT 2x0.75mm ²	Date 2023.02.22	Scale FREE														
ANGLE: 				Edition 1	Sheet 1/1	UNIT: MM														

