

Network Cable Copper

LinkIT Patch U/UTP Cat6 Grey 0.5m

AWG 24/7 | LSZH

Product number: UTP-6G-005

EI-number: 6919616

Product Description

Network cable for home, small and medium-sized businesses. Cat.6 cables are used in installations where transmission speed requirements do not exceed 1Gbps, and do not change in the future. Can handle 1Gbps speed and 250MHz bandwidth (10Gbps over shorter distances).

Main Specifications

Brand	LinkIT
Color	Grey
Length (m)	0,5
Category	Cat.6
Connector type 1	RJ-45 male (8P8C)
Connector type 2	RJ-45 male (8P8C)
Conductor material	Copper
Cable shielding	U/UTP - unshielded/unshielded twisted pairs
Cable type	U/UTP
Conductor design	Stranded

Extended Specifications

AWG wire size	24
Transmission speed	1 Gbps
Frequency (Mhz)	250
Cable structure	4 x 2 AWG 24/7 Twisted pair
Locking type	Snagless
NVP value	69%



Jacket material	LSZH
Anti-kink sleeve	Moulded
Pin Assignment	568B-568B
Halogenfree	✓
Oil resistant	✗
Fire retardant version	✓
Connector contact plating	50µ gold plated
Certifications	CE, RoHS

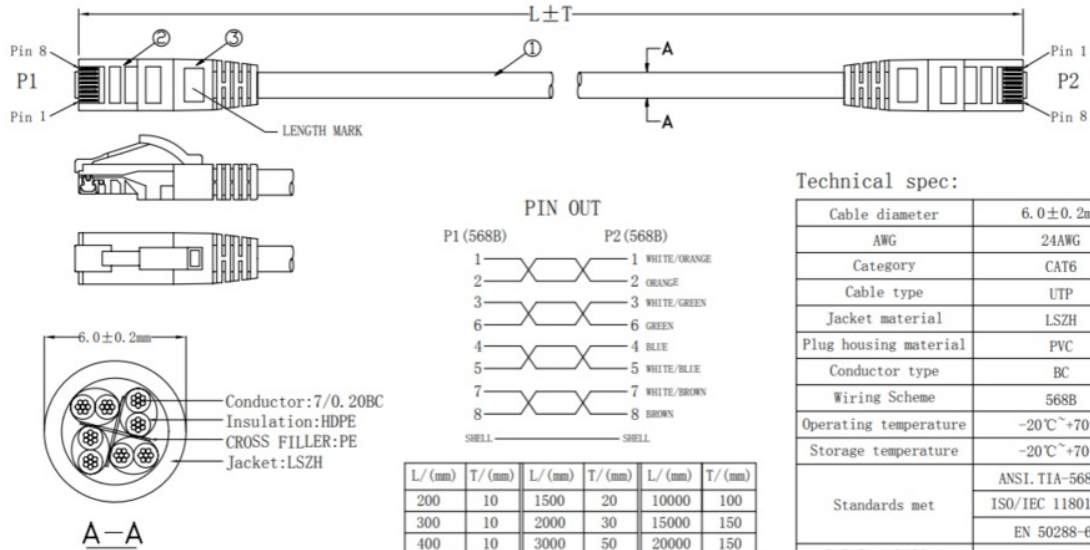
Single packaging

Unit	PCE
Quantity	1
Height (cm)	1
Width (cm)	1,4
Length(cm)	0,15
Weight (kg)	0,03
Gross Weight (kg)	3E-05
Volum (dm³)	0



Dimensional Sketches

RevNo | Revision note | Date | Signature | Checker



Technical spec:

Cable diameter	6.0±0.2mm
AWG	24AWG
Category	CAT6
Cable type	UTP
Jacket material	LSZH
Plug housing material	PVC
Conductor type	BC
Wiring Scheme	568B
Operating temperature	-20°C~+70°C
Storage temperature	-20°C~+70°C
Standards met	ANSI TIA-568-C.2
	ISO/IEC 11801 ED.2
	EN 50288-6-2
PoE Compatibility	PoE+
Fire retardant	IEC 60332-1-2

NOTES:

- 100% Conduction, Short Circuit And Misalignment Test
- RoHS & REACH Compliant
- Printing: CAT6 UTP LSZH 24AWG × 4P PATCH VERIFIED TO ANSI TIA-568-C.2 & ISO/IEC 11801 ED.2 & EN 50288-6-2 & IEC 60332-1-2

NO.	MATERIAL	DESCRIPTION	QTY.	UNIT
①	MOLDED	PVC		G
②	CONNECTOR	RJ45 8P8C, Pin Gold-Plated 50u"	2	PCS
③	CABLE	UTP CAT6 24#(7/0.20BC)+CROSS FILLER LSZH/JACKET, OD:6.0±0.2MM	1	MM

Ltref	Quantity	Title/Name, designation, material, dimension etc	Article NO./Reference
Designed by FLY	Checkde by HELEN	Approved by - date 2023.09.07	File name Date 2023.09.07
ANGLE:	UNIT:MM		UTP CAT6 24AWG BC LSZH JACKET, PIN 50U" GOLD
LinkIT			Edition 1
			Sheet 1/1

