

## Network Cable Copper

### LinkIT Patch U/UTP Cat6 Grey 3m

AWG 24/7 | LSZH

Product number: UTP-6G-030

EI-number: 6919620

## Product Description

Network cable for home, small and medium-sized businesses. Cat.6 cables are used in installations where transmission speed requirements do not exceed 1Gbps, and do not change in the future. Can handle 1Gps speed and 250MHz bandwidth (10Gbps over shorter distances).

## Main Specifications

<b>Brand</b>	LinkIT
<b>Color</b>	Grey
<b>Length (m)</b>	3
<b>Category</b>	Cat.6
<b>Connector type 1</b>	RJ-45 male (8P8C)
<b>Connector type 2</b>	RJ-45 male (8P8C)
<b>Conductor material</b>	Copper
<b>Cable shielding</b>	U/UTP - unshielded/unshielded twisted pairs
<b>Cable type</b>	U/UTP
<b>Conductor design</b>	Stranded

## Extended Specifications

<b>AWG wire size</b>	24
<b>Transmission speed</b>	1 Gbps
<b>Frequency (Mhz)</b>	250
<b>Cable structure</b>	4 x 2 AWG 24/7 Twisted pair
<b>Locking type</b>	Snagless
<b>NVP value</b>	69%



<b>Jacket material</b>	LSZH
<b>Anti-kink sleeve</b>	Moulded
<b>Pin Assignment</b>	568B-568B
<b>Halogenfree</b>	✓
<b>Oil resistant</b>	✗
<b>Fire retardant version</b>	✓
<b>Connector contact plating</b>	50µ gold plated

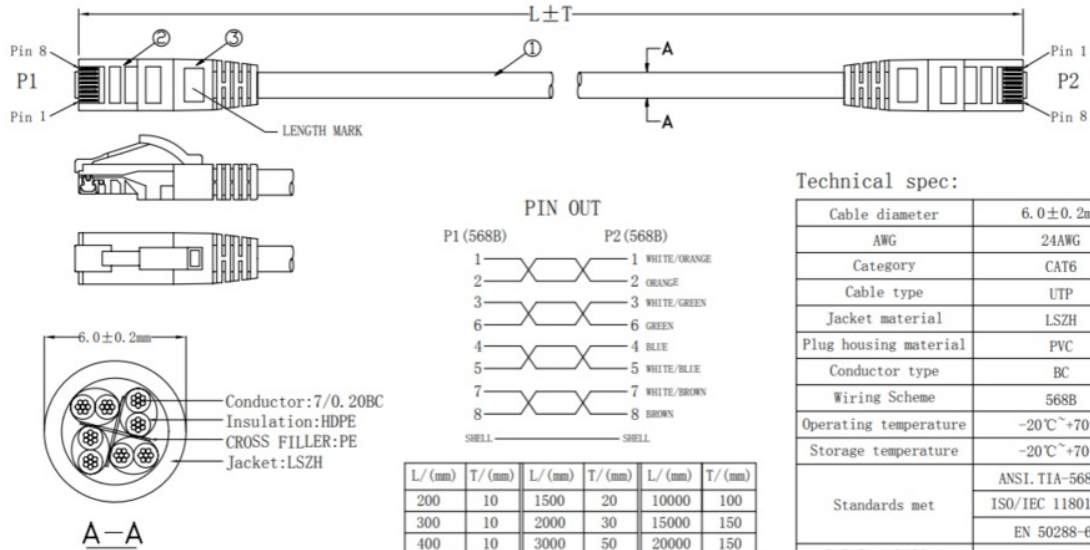
## ■ **Single** packaging

<b>Unit</b>	PCE
<b>Quantity</b>	1
<b>Height (cm)</b>	1,2
<b>Width (cm)</b>	1,2
<b>Length(cm)</b>	0,3
<b>Weight (kg)</b>	0,11
<b>Gross Weight (kg)</b>	0,00012
<b>Volum (dm<sup>3</sup>)</b>	0



## Dimensional Sketches

RevNo | Revision note | Date | Signature | Checker



### Technical spec:

Cable diameter	6.0±0.2mm
AWG	24AWG
Category	CAT6
Cable type	UTP
Jacket material	LSZH
Plug housing material	PVC
Conductor type	BC
Wiring Scheme	568B
Operating temperature	-20°C~+70°C
Storage temperature	-20°C~+70°C
Standards met	ANSI TIA-568-C.2
	ISO/IEC 11801 ED.2
	EN 50288-6-2
PoE Compatibility	PoE+
Fire retardant	IEC 60332-1-2

#### NOTES:

- 100% Conduction, Short Circuit And Misalignment Test
- RoHS & REACH Compliant
- Printing: CAT6 UTP LSZH 24AWG × 4P PATCH VERIFIED TO ANSI TIA-568-C.2 & ISO/IEC 11801 ED.2 & EN 50288-6-2 & IEC 60332-1-2

NO.	MATERIAL	DESCRIPTION	QTY.	UNIT
①	MOLDED	PVC		G
②	CONNECTOR	RJ45 8P8C, Pin Gold-Plated 50u"	2	PCS
③	CABLE	UTP CAT6 24#(7/0.20BC)+CROSS FILLER LSZH/JACKET, OD:6.0±0.2MM	1	MM

Ltref	Quantity	Title/Name, designation, material, dimension etc	Article NO./Reference
Designed by FLY	Checkde by HELEN	Approved by - date 2023.09.07	File name Date 2023.09.07
ANGLE:	UNIT:MM		UTP CAT6 24AWG BC LSZH JACKET, PIN 50U" GOLD
LinkIT		Edition 1	Sheet 1/1

